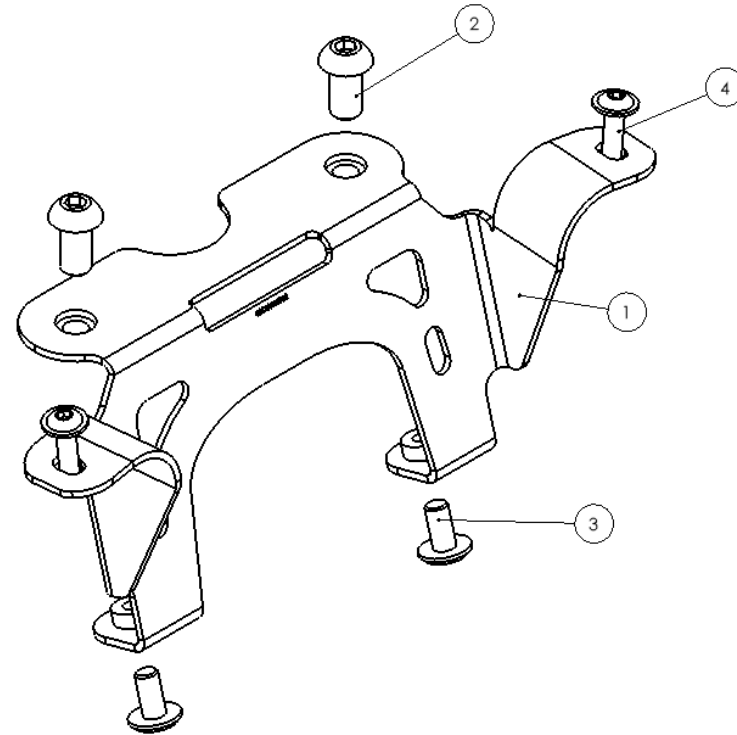
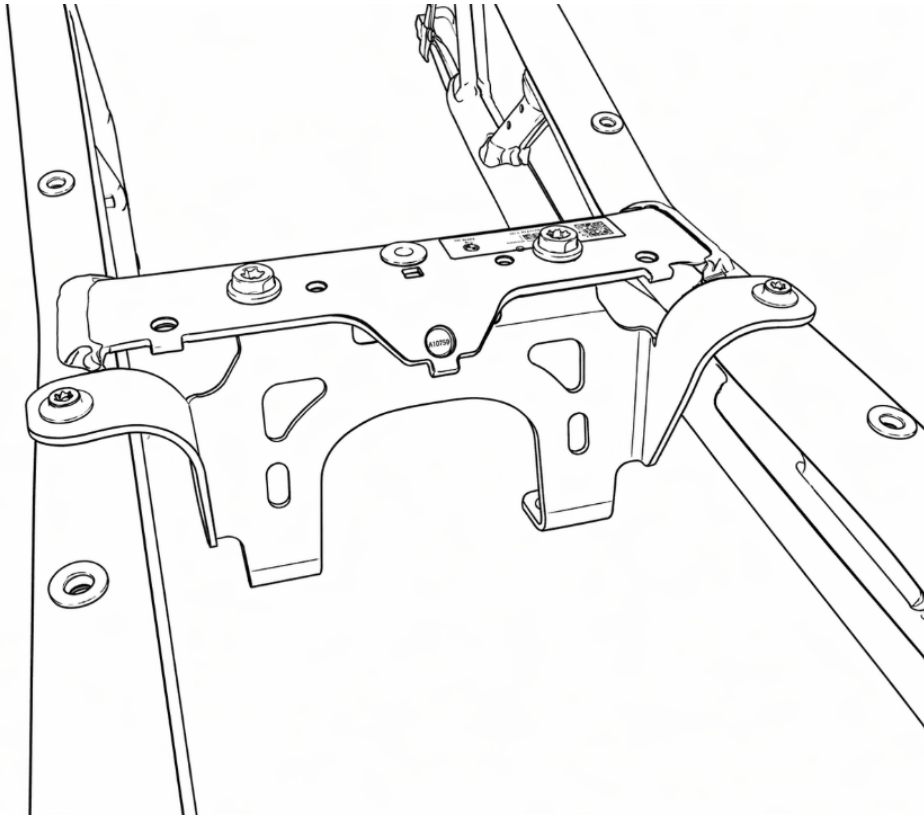


4651B025A00 Race tail support kit

Suitable for race tails in combination with OEM subframe



POS-NR.	Description	Quantity
1	4663DA10750 Halteblech Höcker K6766 Mat. AISI 304, 2xM6, 2xM8	1
2	0711A008D03 DIN7380 M8x16	2
3	0711V006P01 Flachkopfschraube M6x12	2
4	0711V005E02 DIN7381 M5x16	2