

\*Apply Loctite 243

Item	Item number	Description	QTY.	TRQ.
1	4670-B413-011	Rear brake pump pin M6	1	
2	4670-B419-001	RH heel protector	1	
3	4670-B416-001	Rear brake lever threaded bush M8	1	
4	0711A006D02	M6 x 16 mm (ISO 7380)	4	10 Nm*
5	4670-B415-011	Rear brake lever outer spacer	1	
6	4670-B423-001	Rear brake lever inner spacer	1	
7	0711A008C02	M8 x 16 mm (DIN 7984)	2	20 Nm*
8	4670-B427-002_X3	Footrest peg holder	1	
10	4670-B426-001	RH footrest plate	1	
11	0711V008A25	M8 x 25 mm (DIN 912)	2	20 Nm*
12	4670-B433-001	Inner slider	1	
14	0711A005M04	Thin nut M5 (ISO 8675)	1	
15	4670-B414-001	Rear brake lever	1	
17	0711A005C03	M5 x 20 mm (DIN 7984)	1	6 Nm*
9	4670-X920-000	Pin	1	
13		Footpeg spring	1	
16		Bracket	1	
18		Pin footrest	1	
19	0711A005Z01	Toothed washer (DIN 6797)	1	
20	0711V005F02	M5 x 16 mm (ISO 10642)	1	6 Nm*
21	4670-B418-001	Footrest peg cap	1	
22	0711A008C10	M8 x 55 mm (DIN 7984)	1	20 Nm*
23	4670-B417-001	Footrest peg	1	
**	0711A012B00	Brake lever bearing 61801 2RSI	2	

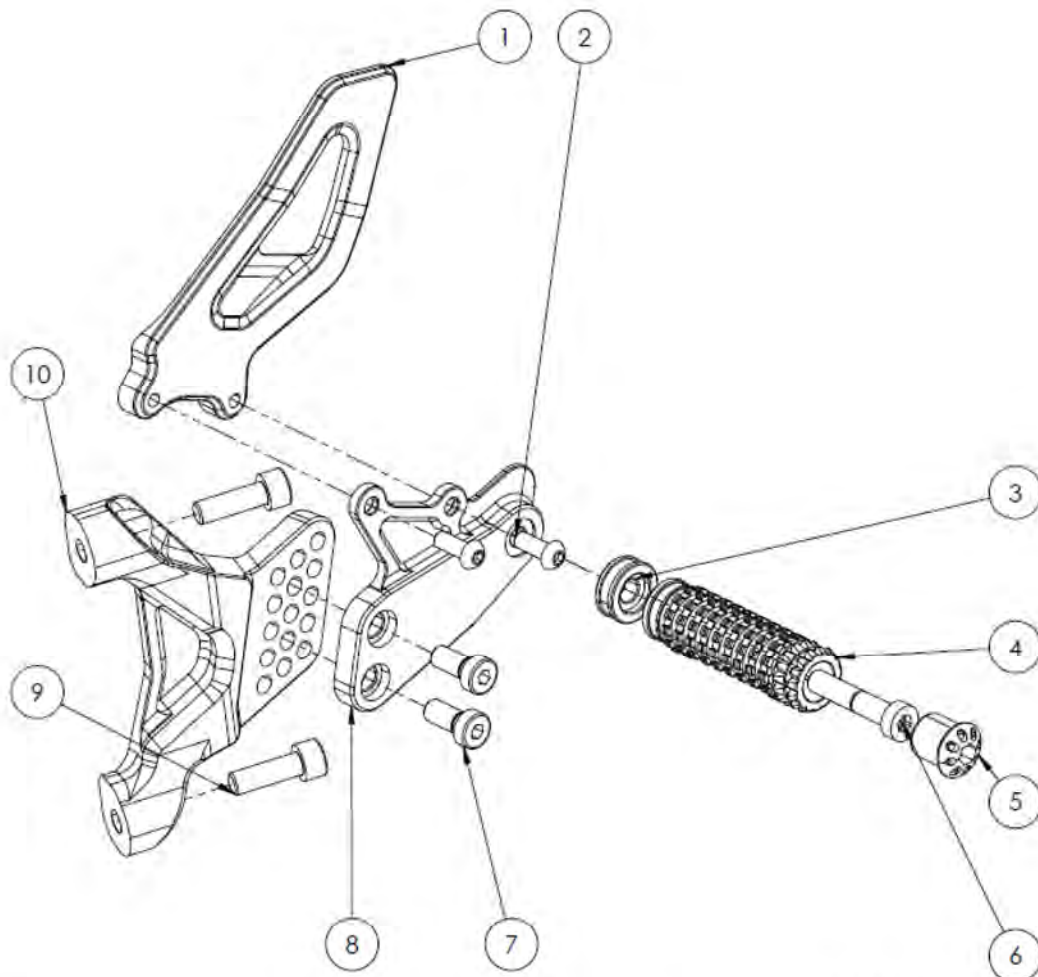
\*\* not shown in drawing

Anzugsmomente dienen lediglich als Anhaltswert!

Abbildungen können abweichen!

Tightening torques are for reference purposes only!

Illustrations may vary!

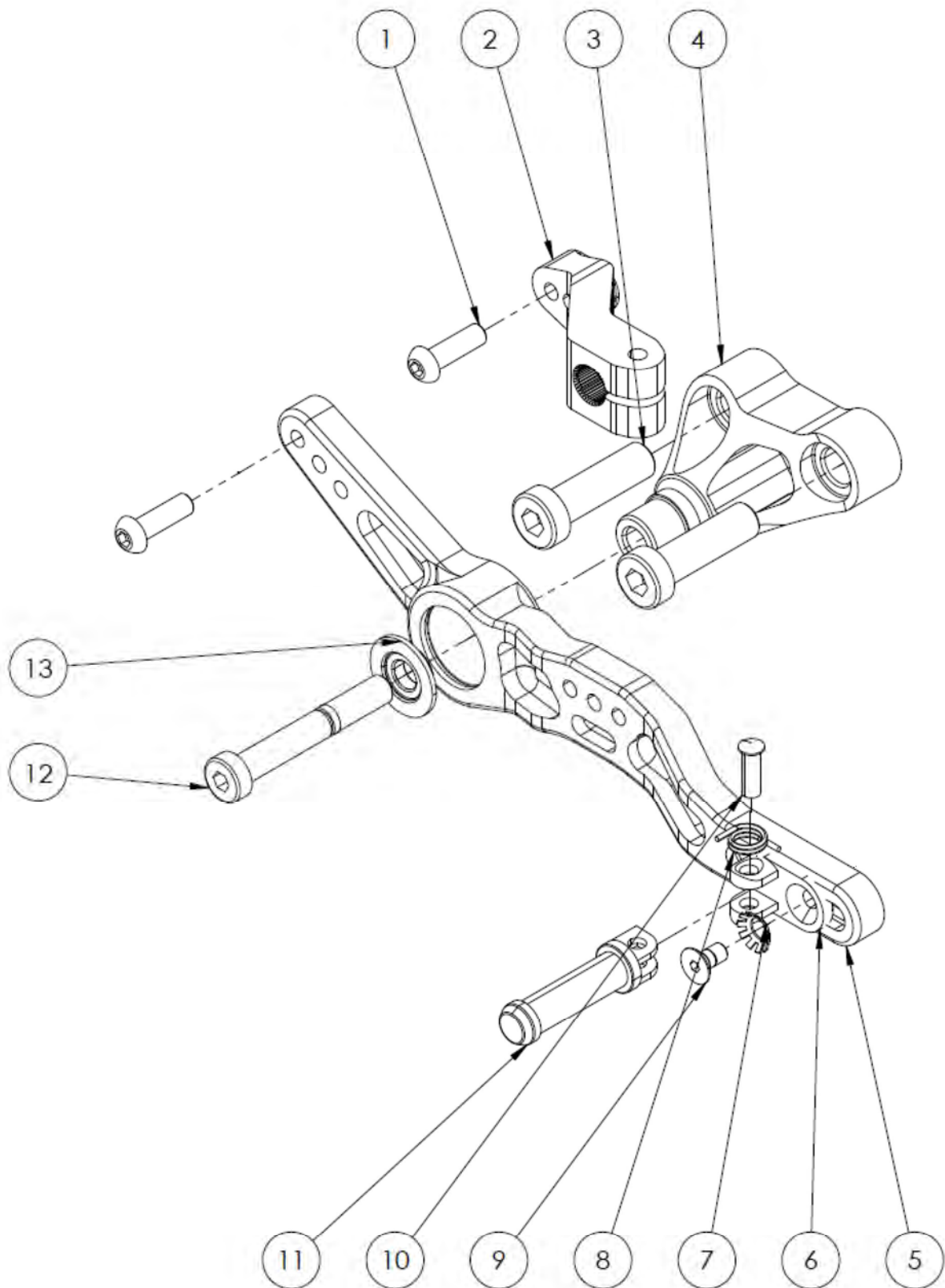


\*Apply Loctite 243

Item	Item number	Description	QTY.	TRQ.
1	4670-B421-001	LH Heel protector	1	
2	0711A006D02	M6 x 16 mm (ISO 7380)	2	10 Nm*
3	4670-B431-001	Footrest peg spacer	1	
4	4670-B417-001	Footrest peg	1	
5	4670-B418-001	Footrest peg cap	1	
6	0711A008C06	M8 x 35 (DIN 7984)	1	20 Nm*
7	0711A008C02	M8 x 16 (DIN 7984)	2	20 Nm*
8	4670-B429-002_X3	LH footrest peg holder	1	
9	0711V008A25	M8 x 25 (DIN 912)	2	20 Nm*
10	4670-B428-001	LH footrest plate	1	

\*\* not shown in drawing

Anzugsmomente dienen lediglich als Anhaltswert!  
Abbildungen können abweichen!  
Tightening torques are for reference purposes only!  
Illustrations may vary!



\*Apply Loctite 243

Item	Item number	Description	QTY.	TRQ.
1	0711A006D04	M6 x 20 mm (ISO 7380)	2	10 Nm*
2	4670-B422-011	Gearshift selector lever	1	
3	0711A010B35	M10 x 35 mm (DIN 6912)	2	30 Nm*
4	4670-B412-001	Gearshift lever support	1	
5	4670-B411-001	Gearshift lever	1	
7	0711A005Z01	Toothed washer	1	
9	0711V05F02	M5 x 16 mm (ISO 10642)	1	6 Nm*
6	4670-X910-000	Bracket	1	
8		Spring	1	
10		Pin	1	
11		Pin Footrest	1	
12	0711A008C07	M8 x 40 (DIN 7984)	1	20 Nm*
13	4670-B432-011	Gearshift lever washer M8	1	
14**	4670-B433-001	Inner slider	1	
**	4670-B213-001	Spacer gearshift lever support	1	
**	0711A015B01	Gearshift lever bearing 63802 2RS	2	

\*\* not shown in drawing

Anzugsmomente dienen lediglich als Anhaltswert!  
 Abbildungen können abweichen!  
 Tightening torques are for reference purposes only!  
 Illustrations may vary!