

\*Apply Loctite 243

Item	Item number	Description	QTY.	TRQ.
1	4670-B228-001_X1	Footrest Bracket	1	
3	4670-B227-001_X8	RH footpeg holder	1	
4	3521DC10901	Brake lever bearing bush	1	
5	4670-B214-001_X3	Rear brake lever	1	
6	0711A015B02	Brake lever bearing 61802 2RZ	2	
7	4670-B246-001_X1	Rear Brake lever special bolt	1	
8	4670-B243-001_X1	Excenter disc	1	
10	3521DC10801	Footpeg to brake lever adapter	1	
11	4671A235A00	Footpeg spare part	1	
12	4670-B219-001_X2	RH heelprotector	1	
13	4671-B245-001	Folding peg short & knurled	1	
14	4670-X914-011	Spring folding peg	1	
15	4671-B249-001	Folding peg plate	1	
16	4670-B244-001_X1	Pin folding peg	1	
24	4670-B242-001_X1	Additional brake	1	
25	4670-B247-001_X1	Pressure pin	1	
26	4670-B424-001	Lower spring retainer	1	
27	4671A022A00	Upper spring retainer	1	
31	0711A005D00	M5 x 10 mm (ISO 7380)	2	5 Nm / 3,7 ft lb *
32	0711A005D01	M5 x 12 (DIN 912)	1	5 Nm / 3,7 ft lb *
33	0711A005Z02	Safety washer for M5	1	
34	0711A006A02	M6 x 16 mm (DIN 912)	3	8 Nm / 5,9 ft lb *
35	0711A006A03	M8 x 20 mm (DIN 7984)	2	19 Nm / 14 ft lb *
36	0711A008A04	M8 x 25 mm (DIN 912)	1	19 Nm / 14 ft lb *
37	0711A006Z02	Safety washer for M6	1	
40	0711A008A07	M8 x 40 mm (DIN 912)	1	19 Nm / 14 ft lb *
41	0711A005B02	M5 x 16 mm (DIN 6912)	1	5 Nm / 3,7 ft lb *
**	0711A065B00	Cotter pin	1	
**	4671A018A00	Outer footpeg cover	1	
**	0711O160N30	O-ring for excentric disc	1	
**	4671A019A00	Spring for brake cylinder	1	

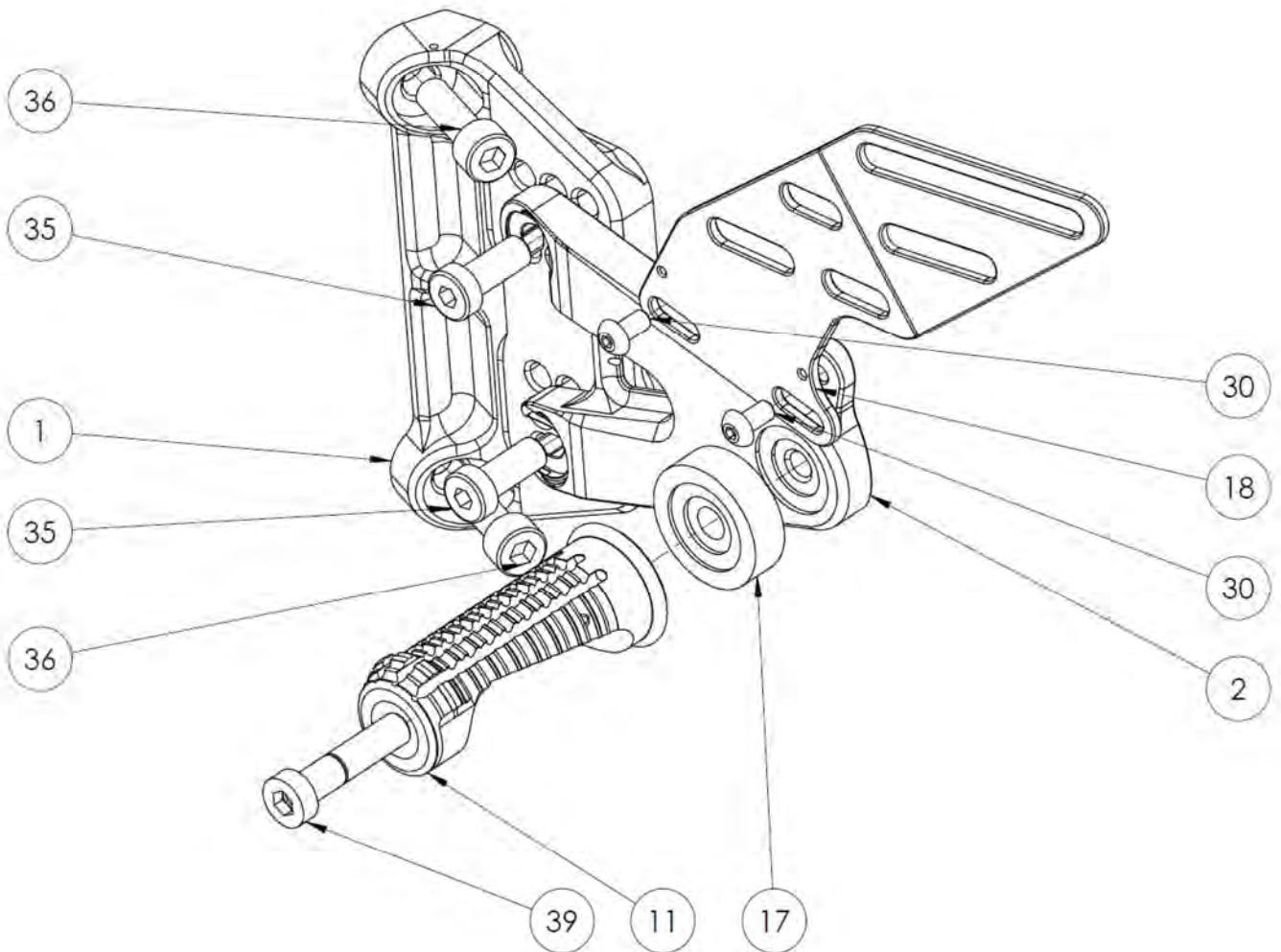
\*\* not shown in drawing

Anzugsmomente dienen lediglich als Anhaltswert!

Abbildungen können abweichen!

Tightening torques are for reference purposes only!

Illustrations may vary!

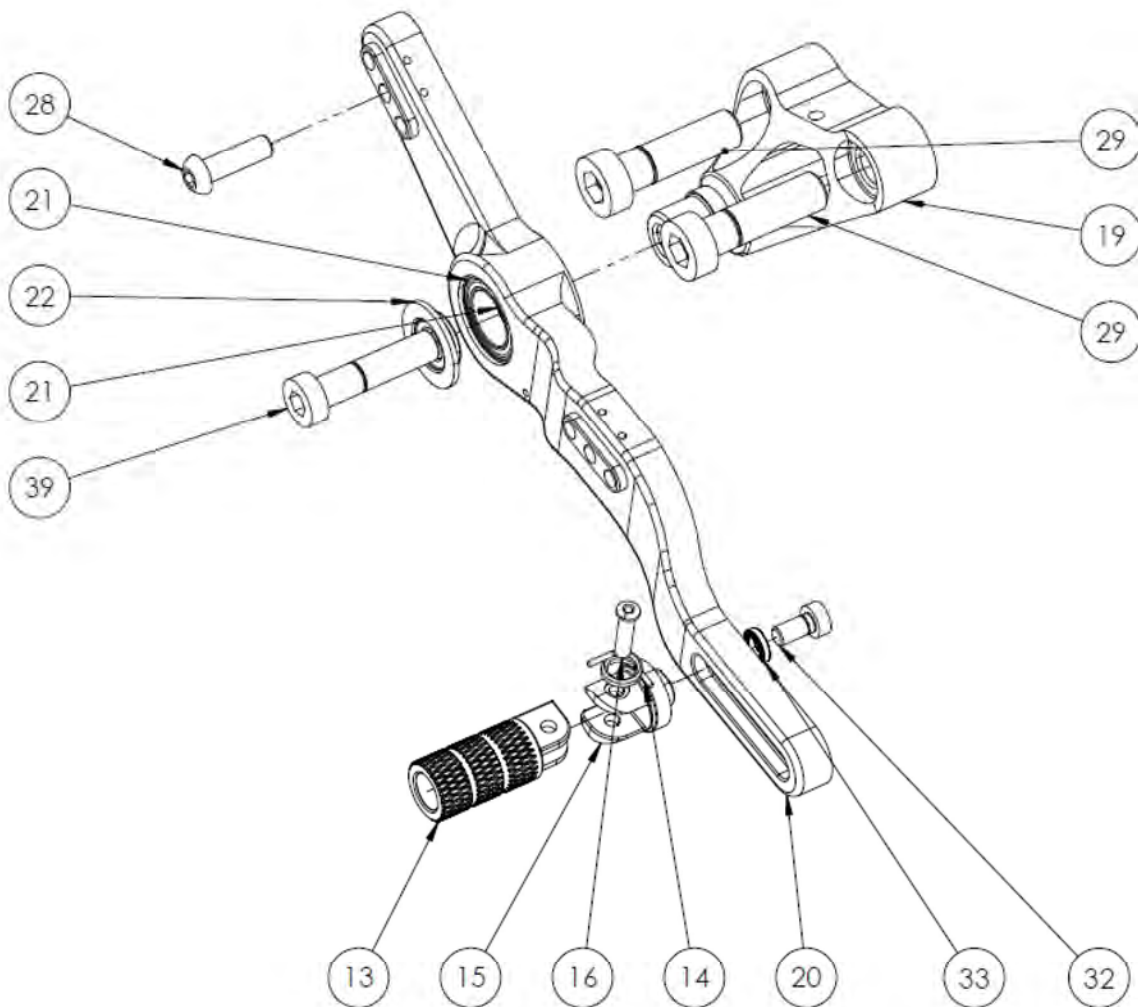
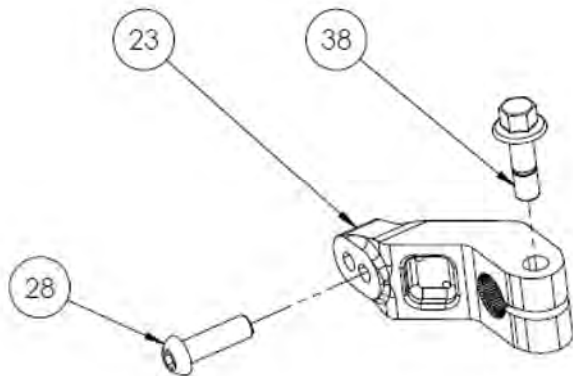


\*Apply Loctite 243

Item	Item number	Description	QTY.	TRQ.
1	4670-B228-001_X1	Footrest bracket	1	
2	4670-B229-001_X4	LH footpeg holder	1	
11	4671A235A00	Footpeg spare part	1	
17	4671DC11800	LH footpeg spacer	1	
18	4670-B221-001_X4	LH heelprotector	1	
30	0711A005D00	M5 x 10 mm (ISO 7380)	2	5 Nm / 3,7 ft lb *
35	0711A008C03	M8 x 20 mm (DIN 7984)	2	19 Nm / 14 ft lb *
36	0711A008A04	M8 x 25 mm (DIN 912)	2	19 Nm / 14 ft lb *
39	0711A008A06	M8 x 35 mm (DIN 912)	1	19 Nm / 14 ft lb *
**	4671A018A00	Outer footpeg cover	1	

\*\* not shown in drawing

Anzugsmomente dienen lediglich als Anhaltswert!  
Abbildungen können abweichen!  
Tightening torques are for reference purposes only!  
Illustrations may vary!



\*Apply Loctite 243

Item	Item number	Description	QTY.	TRQ.
13	4671-B245-001	Folding peg short & knurled	1	
14	4670-X914-011	Spring folding peg	1	
15	4671-B249-001	Folding peg plate	1	
16	4670-B244-001_X1	Pin folding peg	1	
19	4670-B212-001	Gearshift lever support	1	
20	4670-B211-001_X1	Gearshift lever	1	
21	0711A015B01	Gearshift lever bearing	2	
22	4670-B432-011	Gearshift lever washer	1	
23	4670-B222-001	Gearshift selector lever	1	
28	0711A006A03	M6 x 20 mm (DIN 912)	2	8 Nm / 5,9 ft lb *
29	0711A010B35	M10 x 35 mm (DIN 912)	2	37 Nm / 27,3 ft lb *
32	0711A005D00	M5 x 10 mm (ISO 7380)	1	5 Nm / 3,7 ft lb *
33	0711A005Z02	Safety washer for M5	1	
38	0711A006R04	M6 x 20 mm (ISO 4162)	1	8 Nm / 5,9 ft lb *
39	0711A008A06	M8 x 35 mm (DIN 912)	1	19 Nm / 14 ft lb *
**	0711A600I24	Safety clip für bearings	1	

\*\* not shown in drawing

Anzugsmomente dienen lediglich als Anhaltswert!

Abbildungen können abweichen!

Tightening torques are for reference purposes only!

Illustrations may vary!